

## Installation Manual

582400H

# SumpJet® Water Powered Backup System

## Models

**SJ10**

*No Alarm*

**SJ10A**

*With Alarm*

**SJ10A-EYE**

*With NightEye® Alarm*



**SJ10A**



**SJ10A-EYE**





7000 Apple Tree Avenue  
Bergen, NY 14416  
ph: 800-543-2550  
fax: 585-494-1839  
[www.libertypumps.com](http://www.libertypumps.com)



# Contents

<i>Safety Precautions</i> .....	3
<i>General Information</i> .....	4
<i>Installation</i> .....	4
<i>Warranty</i> .....	6
<i>Hole Template</i> .....	7

## Safety Guidelines

	This safety alert symbol is used in the manual and on the pump to alert of potential risk for serious injury or death.
	This safety alert symbol identifies <b>risk of electric shock</b> . It is accompanied with an instruction intended to minimize potential risk of electric shock.
	This safety alert symbol identifies <b>risk of fire</b> . It is accompanied with an instruction intended to minimize potential risk of fire.
	This safety alert symbol identifies <b>risk of serious injury or death</b> . It is accompanied with an instruction intended to minimize potential risk of injury or death.
<b>⚠ DANGER</b>	Warns of hazards, which if not avoided, <b>will</b> result in serious injury or death.
<b>⚠ WARNING</b>	Warns of hazards, which if not avoided, <b>could</b> result in serious injury or death.
<b>⚠ CAUTION</b>	Warns of hazards, which if not avoided, could result in minor or moderate injury.
<b>NOTICE</b>	Signals an important instruction related to the pump. Failure to follow these instructions could result in pump failure or property damage.

<b>⚠ WARNING</b>	<b>Read every supplied manual before using pump system. Follow all the safety instructions in manual(s) and on the pump. Failure to do so could result in serious injury or death.</b>
<b>NOTICE</b>	<b>Installer: manual must remain with owner or system operator/maintainer.</b>
<p>Keep this manual handy for future reference.</p> <p>For replacement manual, visit <a href="http://libertypumps.com">libertypumps.com</a>, or contact Liberty Pumps at 1-800-543-2550.</p> <p>Retain dated sales receipt for warranty.</p>	<p>Record information from pump nameplate:</p> <p>Pump Model #: _____</p> <p>Pump Serial #: _____</p> <p>Manufacture Date: _____</p> <p>Install Date: _____</p>

## Safety Precautions

### **⚠️ WARNING** **RISK OF ELECTRIC SHOCK**

- Always disconnect any electric pumps from the power source before handling, installing, or adjusting the SumpJet.

### **⚠️ WARNING** **RISK OF SERIOUS INJURY OR DEATH**

- Sump water is non-potable. To reduce the risk of contamination of the potable water supply, additional backflow protection must be provided by the installer to meet the requirements of the local plumbing code or the requirements of the local water authority. **As per the Uniform Plumbing Code® and per the Plumbing Codes of some states, including the State of Michigan, installation of this product requires the use of an RP/RPZ (Reduced Pressure/Reduced Pressure Zone) backflow protection device.** Contact your local plumbing or water authority for more information regarding the requirements for your specific area.

### **⚠️ CAUTION**

- The SumpJet is designed for use in clear water only. It is not designed to remove waste water, sewage, effluent, or water with debris in it.

### **NOTICE**

- The SumpJet is designed for use with municipal water supply, and is intended to be used as an emergency backup to an existing pump system.
- The SumpJet comes with a foot valve installed and therefore does not require a check valve on the discharge. The foot valve has a removable poppet. Where freezing discharge pipes are a problem, simply unscrew the strainer screen, remove the poppet and spring, and replace the strainer. The SumpJet will now allow water to flow back into the pit, eliminating discharge pipe freezing.
- Maximum water pressure = 100 psi (690 kPa) with the valve closed.

- Recommended minimum water pressure (ahead of backflow prevention device) = 30 psi (207 kPa) with the valve open (less pressure may not eject water from basement adequately).
- For nominal backflow protection, the SumpJet is pre-equipped with an internal check valve certified to ASME A112.18.3 and ASME A112.18.1/CSA B125.1.
- Discharge of the SumpJet must not be connected to the primary sump pump.
- Discharge of the SumpJet must not be directly connected to the municipal drain.
- An air gap with a minimum 1" gap should be used, or the discharge should be directed outside of the building, with the end of the pipe between 150 and 610 mm (6 and 24 in) above the ground or the flood level of the area receiving the discharge.
- The inlet of the SumpJet is factory-equipped with a SharkBite® push-type pipe connector. This fitting can be used with various approved 3/4" potable water tubing and pipe, such as PEX tubing (ASTM F876, CSA B137.5), copper pipe (ASTM B 88), or CTS CPVC pipe (ASTM D 2846, CSA B137.6). For more details on using the SharkBite, visit [www.sharkbite.com](http://www.sharkbite.com).
- Do not use paste-type sealant on inlet threads, and do not sweat copper fittings within 18" of SumpJet body. Use PTFE (Teflon®) sealing tape only when assembling threaded fittings into SumpJet inlet. Do not overtighten threaded inlet fitting, and do not hold onto float plunger shroud when tightening.
- Purge water line prior to connection to SumpJet to ensure debris does not enter unit and clog the operating valve.
- The SumpJet utilizes a quick-acting valve which, per UPC, requires the use of an approved water pressure absorbing device to prevent water hammer.
- Do not use SumpJet in water greater than 130 °F.

Table 1. SumpJet Specifications

Water pressure at inlet of SumpJet with valve open and water flowing		Sump water removal at various heads. (static head in 1-1/2" pipe or larger)											
		4 ft		1.21 m	8 ft		2.4 m	12 ft		3.6 m	15 ft		4.5 m
PSI	KPA	GPM	GPH	M <sup>3</sup> /hr	GPM	GPH	M <sup>3</sup> /hr	GPM	GPH	M <sup>3</sup> /hr	GPM	GPH	M <sup>3</sup> /hr
20	138	11.0	660	2.5	5.8	348	1.3						
30	207	12.8	765	2.9	9	540	2.0	5.5	330	1.2			
40	276	15.4	924	3.5	12.5	750	2.8	9.3	558	2.1	7.2	432	1.6
50	345	17.2	1032	3.9	14.5	870	3.3	12	720	2.7	10	600	2.3
60	414	19.8	1185	4.5	17	1020	3.9	15.2	912	3.5	13.5	810	3.1

**Note:** For optimal performance, minimum recommended operating pressure is 30 psi. Use of an RP/RPZ may lower operating pressure.

## General Information

Ensure this manual is read and understood prior to installing and using this pump. Each Liberty Pumps pump is individually factory tested to ensure proper performance. Closely following these instructions will eliminate potential operating problems, assuring years of trouble-free service.

Liberty Pumps products are designed for minimal maintenance. However, regular checks will ensure longer life and greater operating reliability.

**WARRANTY:** No repair work should be carried out during the warranty period without prior factory approval. To do so may render the warranty void.

**PUMP SERIAL NUMBER:** In all correspondence and reports, make certain that the pump serial number is given.

### Pump Design

The Liberty Pumps SumpJet is designed for emergency backup to an existing pump system. It uses the municipal water supply to evacuate water from the sump. It is *not* intended to be used as the primary sump water removal pump. It is intended to remove clear sump water only.

Prolonged use of the SumpJet will result in increased municipal water consumption. The SumpJet uses approximately 1 gallon of water to remove 2 gallons of sump water, depending on elevation.

### Optional Alarm

Liberty Pumps recommends the use of an audible high water alarm. The model SJ10A features an alarm system to warn when the SumpJet is activated. The model SJ10A-EYE features the NightEye® Alarm for wireless alarm protection. If the model SJ10 was purchased without an alarm, an alarm (ALM-P1 or ALM-P1-EYE) may be ordered from your local distributor or contact Liberty Pumps for more information.

### Inspection Upon Receipt

The shipping container should be immediately inspected for damage that may have occurred in shipment. Exercise care in opening the shipping container to avoid damage to the pump. Remove any blocking and cushioning from within the container.

Check all cushioning for spare parts before discarding. Visually check the pump and any parts for damage. Report any damage or shortage of parts.

### Storage Before Use

Liberty Pumps products are shipped from the factory ready for installation and use. They should be held in storage if the pump station is not complete. If storage is necessary, the pump should remain in its shipping container. It should be stored in a warehouse or storage shed that has a clean, dry, temperature-stable area where the pump and its container should be covered to protect it from water, dirt, dust, etc.

#### NOTICE

- ◆ At no time should the pump be stored within an incomplete wet pit. The pump should not be placed into the pit until it can be fully operational.

## Long Term Storage

If long term storage of the SumpJet is required, it should be stored indoors in a clean, dry temperature-stable environment. The pump should be covered to protect it from water, dirt, dust, etc. Do not allow the pump to freeze.

## Maintenance

Installed pumps which are idle for long periods of time should be manually operated once a month to ensure proper operation. Check for proper operation of the float and clean any debris that may be on the float or the suction screen. Make sure that the float operates freely without any restrictions.

## Installation

### **⚠ WARNING** **RISK OF ELECTRIC SHOCK**

- Always disconnect any electric pumps from the power source before handling, installing, or adjusting the SumpJet.

### **NOTICE**

- ◆ The SumpJet comes fully assembled. Only placement and connection is required.
- ◆ Do not use a garden hose. Garden hose is not designed to hold municipal pressure indefinitely. It could leak or burst and cause flooding. The SumpJet requires permanent piping methods such as copper, PEX, or CTS CPVC, or any other permanent plumbing method, be used for installation. To achieve maximum performance from the SumpJet, it is recommended that the unit is plumbed with 3/4" pipe. All water supply piping shall be made of materials and methods approved by the local plumbing codes.
- ◆ For nominal backflow protection, the SumpJet is pre-equipped with an internal check valve certified to ASME A112.18.3 and ASME A112.18.1/CSA B125.1. Additional backflow protection must be provided by the installer to meet the requirements of the local plumbing code or the requirements of the local water authority. **As per the Uniform Plumbing Code and per the Plumbing Codes of some states, including the State of Michigan, installation of this product requires the use of an RP/RPZ backflow protection device.** Contact your local plumbing or water authority for more information regarding the requirements for your specific area.
- ◆ Discharge of the SumpJet must not to be connected to the primary sump pump.
- ◆ Discharge of the SumpJet is not to be directly connected to the municipal drain.
- ◆ An air gap with a minimum 1" gap should be used, or the discharge should be directed outside of the building, with the end of the pipe between 150 and 610 mm (6 and 24 in) above the ground or the flood level of the area receiving the discharge.
- ◆ The inlet of the SumpJet is factory-equipped with a push-type pipe connector, SharkBite, and can be used with PEX, CTS CPVC, or copper pipe.

## Installation Steps

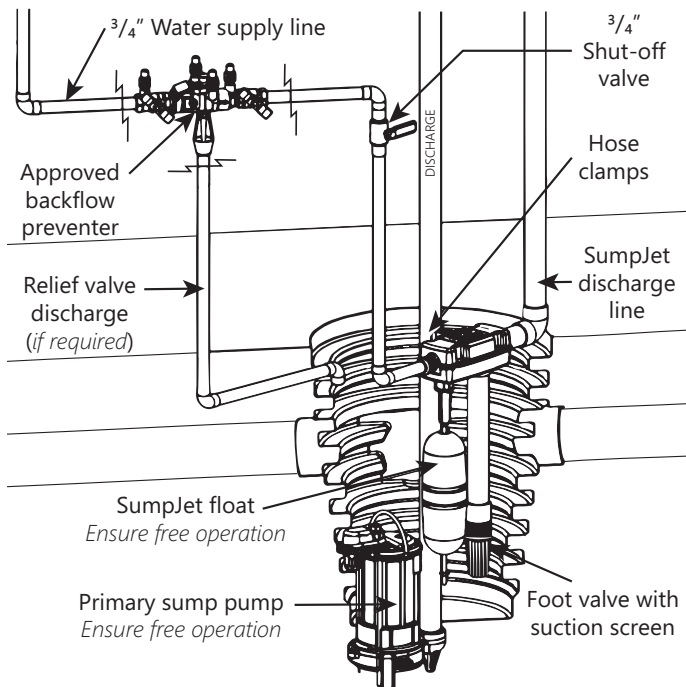


Figure 1. Typical Installation

1. Using the hose clamps provided, mount the SumpJet to the existing discharge pipe. Place the unit so the float level will operate a few inches above the turn-on level of the primary sump pump. (Refer to Figure 2). Tighten hose clamps on discharge pipe.

**Note:** If this type of installation will not work, refer to alternate installation in Step 10.

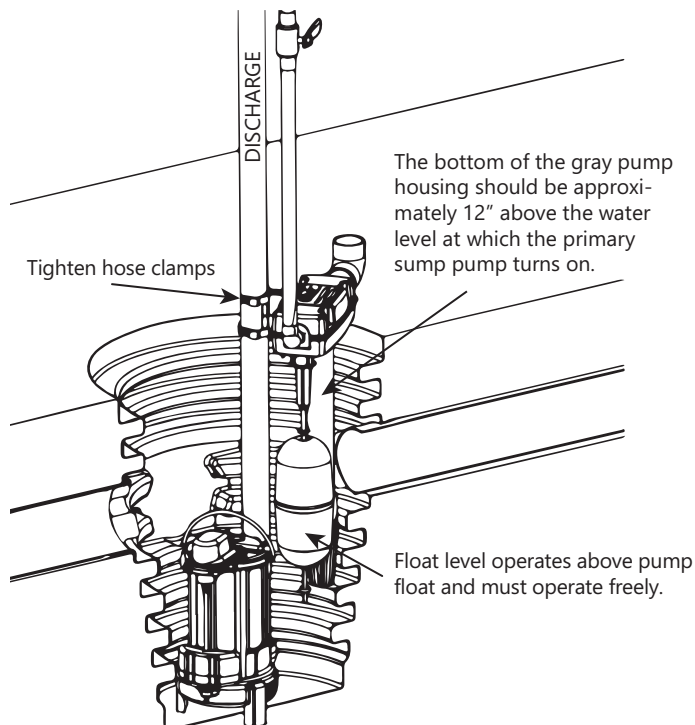


Figure 2. SumpJet Placement

2. After mounting the SumpJet, prepare to hook into the existing municipal water supply line. Shut off the municipal water supply, and plumb the tubing or piping into the municipal water supply line. Use the appropriate backflow prevention per local codes and jurisdiction.

The water supply and discharge piping each require a union or other quick-disconnect fitting to make the pump accessible for servicing, and a dedicated shut-off valve installed on the water supply line within 6 ft. (1.8 m) of the pump. All water supply piping shall be made of materials and methods approved by local plumbing codes.

3. Prior to connecting the water supply line to the SumpJet, purge the water line to ensure it is free from debris, solder, pipe sealant, etc.
4. To connect the water supply line to the SharkBite, cut the pipe or tubing end square. Ensure that there are no burrs or scratches 1" from the cut end.
  - 4a. Mark the pipe or tubing 1" from the cut end to indicate proper insertion depth. If using PEX tubing, the tube liner in the end of the SharkBite must be used. For copper and CTS CPVC piping, the tube liner must be removed (use fingers or pliers).
  - 4b. Insert the tubing or pipe into the SharkBite through the release collar to rest against the grab ring.
  - 4c. Push the tube or pipe firmly until it reaches the tube stop.
  - 4d. To ensure the tube or pipe is correctly inserted, check that the depth mark is up to the end of the release collar.
5. If the SharkBite fitting is removed for connection to other types of 3/4" NPT threaded fittings, make sure all sealing tape is removed from the threaded inlet of the SumpJet. Use a small pick-type tool if necessary. Do not allow any debris to enter the valve body.

### NOTICE

- ◆ If reconnecting the SharkBite or other threaded fitting, use PTFE (Teflon®) sealing tape only when assembling threaded fittings into SumpJet inlet.
  - ◆ Do not over-tighten threaded inlet fitting, and do not hold onto float plunger shroud when tightening.
  - ◆ Do not sweat pipes or fittings directly connected to the SumpJet. Heat transferred from the copper will damage plastic parts.
6. Determine the length of discharge pipe required to the discharge exit point. Using schedule 40 PVC pipe, glue the discharge pipe into the socket elbow of the SumpJet. Complete all discharge piping. Discharge piping should be routed to the yard outside the building.

**Note:** The SumpJet comes complete with a foot valve. There is no need to install a check valve on the discharge pipe.

**Note:** The foot valve has a removable poppet. Where freezing discharge pipes are a problem, simply unscrew the strainer screen, remove the poppet and spring, and replace the strainer. The SumpJet will now allow water to flow back into the pit, eliminating discharge pipe freezing.

7. Turn the municipal water supply back on and open the shut-off valve. Check for leaks. Test the SumpJet to ensure that it is operational by filling the sump pit with water from a garden hose or bucket.
8. Re-connect primary electric sump pump to power supply.
9. If sump cover is desired, it will be necessary to add additional holes and slots to make access for the SumpJet suction pipe and float rod. Refer to the template provided in Figure 4.
10. If the SumpJet cannot be mounted to the primary sump pump discharge pipe, a piece of wood may be used to mount the SumpJet. Cut holes as per Figure 4. There are four screw holes to fasten the SumpJet to the wood. Use #8 x 2.5" long wood screws. Refer to Figure 3.

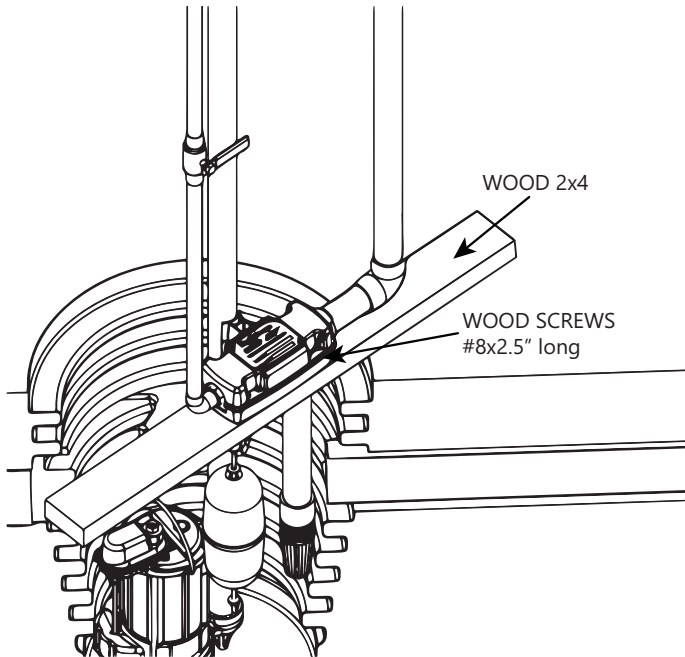


Figure 3. Alternate SumpJet Installation

## Warranty

### *Liberty Pumps Wholesale Products Limited Warranty*

Liberty Pumps, Inc. warrants that Liberty Pumps wholesale products are free from all factory defects in material and workmanship for a period of three (3) years from the date of purchase (excluding batteries). The date of purchase shall be determined by a dated sales receipt noting the model and serial number of the pump. The dated sales receipt must accompany the returned pump if the date of return is more than three years from the date of manufacture noted on the pump nameplate.

The manufacturer's sole obligation under this Warranty shall be limited to the repair or replacement of any parts found by the manufacturer to be defective, provided the part or assembly is returned freight prepaid to the manufacturer or its authorized service center, and provided that none of the following warranty-voiding characteristics are evident:

The manufacturer shall not be liable under this Warranty if the product has not been properly installed, operated, or maintained per manufacturer instructions; if it has been disassembled, modified, abused, or tampered with; if the electrical cord has been cut, damaged, or spliced; if the pump discharge has been reduced in size; if the pump has been used in water temperatures above the advertised rating; if the pump has been used in water containing sand, lime, cement, gravel, or other abrasives; if the product has been used to pump chemicals, grease, or hydrocarbons; if a non-submersible motor has been subjected to moisture; or if the label bearing the model and serial number has been removed.

Liberty Pumps, Inc. shall not be liable for any loss, damage, or expenses resulting from installation or use of its products, or for indirect, incidental, and consequential damages, including costs of removal, reinstallation or transportation.

**There is no other express warranty. All implied warranties, including those of merchantability and fitness for a particular purpose, are limited to three years from the date of purchase. This Warranty contains the exclusive remedy of the purchaser, and, where permitted, liability for consequential or incidental damages under any and all warranties are excluded.**

Hole Template

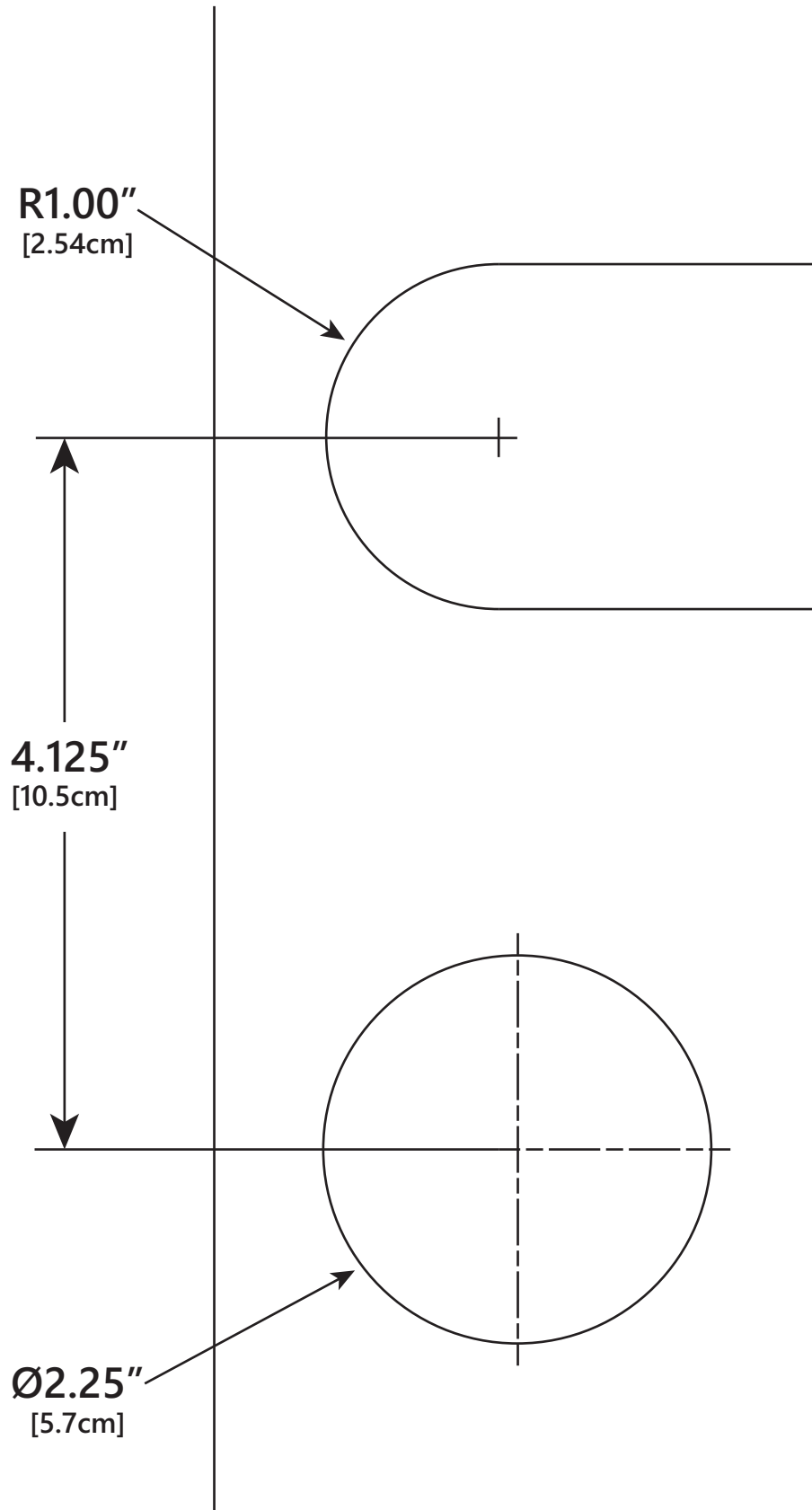


Figure 4. SumpJet Hole Template



7000 Apple Tree Avenue  
Bergen, NY 14416  
ph: 800-543-2550  
fax: 585-494-1839  
[www.libertypumps.com](http://www.libertypumps.com)



## Manual de Instalación

5824000H

# Sistema de respaldo accionado por agua SumpJet®

## Modelos

**SJ10**

*Sin alarma*

**SJ10A**

*Con alarma*

**SJ10A-EYE**

*Con alarma NightEye®*



**SJ10A**



**SJ10A-EYE**





7000 Apple Tree Avenue  
Bergen, NY 14416 EUA  
teléfono: 800-543-2550  
fax: 585-494-1839  
[www.libertypumps.com](http://www.libertypumps.com)



# Contenido

Medidas de seguridad .....	3
Información general .....	4
Instalación .....	4
Garantía .....	6
Plantilla de orificios .....	7

## Reglas de seguridad

	Este símbolo de alerta de seguridad se usa en el manual y en la bomba para alertar sobre el riesgo potencial de lesiones graves o la muerte.
	Este símbolo de alerta de seguridad identifica el <b>riesgo de descarga eléctrica</b> . Se acompaña con una instrucción destinada a minimizar el riesgo potencial de descarga eléctrica.
	Este símbolo de alerta de seguridad identifica el <b>riesgo de incendio</b> . Se acompaña con una instrucción destinada a minimizar el riesgo potencial de incendio.
	Este símbolo de alerta de seguridad identifica el <b>riesgo de lesiones graves o la muerte</b> . Se acompaña con una instrucción destinada a minimizar el riesgo potencial de lesión o muerte.
<b>PELIGRO</b>	Advierte sobre peligros que, si no se evitan, <b>provocarán</b> lesiones graves o la muerte.
<b>ADVERTENCIA</b>	Advierte sobre los peligros que, si no se evitan, <b>pueden provocar</b> lesiones graves o la muerte.
<b>ATENCIÓN</b>	Advierte sobre peligros que, si no se evitan, pueden ocasionar lesiones leves o moderadas.
<b>AVISO</b>	Señala una instrucción importante relacionada con la bomba. El incumplimiento de estas instrucciones puede ocasionar fallas en la bomba o daños a la propiedad.

<b>ADVERTENCIA</b>	<b>Lea todos los manuales suministrados antes de usar el sistema de bomba. Siga todas las instrucciones de seguridad de los manuales y de la bomba. De lo contrario, podrían producirse lesiones graves o la muerte.</b>
<b>AVISO</b>	<b>Instalador: el manual debe permanecer con el propietario o el operador/encargado del sistema.</b>
Mantenga este manual a mano para futuras referencias.  Para obtener un manual de reemplazo, visite <a href="http://libertypumps.com">libertypumps.com</a> , o comuníquese con Liberty Pumps al 1-800-543-2550.  Conserve el recibo de venta fechado para la garantía.	<p>Registre la información de la placa de identificación de la bomba:</p> <p>N.º de modelo de la bomba: _____</p> <p>N.º de serie de la bomba: _____</p> <p>Fecha de fabricación: _____</p> <p>Fecha de instalación: _____</p>

## Medidas de seguridad

### **ADVERTENCIA** **RIESGO DE SHOCK ELÉCTRICO**

- Siempre desconecte las bombas eléctricas de la fuente de alimentación antes de manipular, instalar o ajustar SumpJet.

### **ADVERTENCIA** **RIESGO DE MUERTE**

- El agua de sumidero no es potable. Para reducir el riesgo de contaminación del suministro de agua potable, el instalador debe proporcionar protección contra reflujo adicional para cumplir con los requisitos del código de plomería local o los requisitos de la autoridad de agua local. **Según el Uniform Plumbing Code® y los códigos de plomería de algunos estados, incluido el estado de Michigan, la instalación de este producto requiere el uso de un dispositivo de protección contra reflujo RP/RPZ (dispositivo de presión reducida/dispositivo de zona de presión reducida).** Póngase en contacto con su autoridad local de plomería o agua para obtener más información sobre los requisitos para su área específica.

### **ATENCIÓN**

- ◆ SumpJet está diseñado para usar solo con agua limpia. No está diseñado para eliminar aguas residuales, aguas servidas, aguas efluentes o agua con residuos.

### **AVISO**

- ◆ SumpJet está diseñado para usarse con el suministro de agua municipal como respaldo de emergencia para un sistema de bombeo existente.
- ◆ SumpJet viene con una válvula de pie instalada y, por lo tanto, no requiere una válvula de retención en la descarga. La válvula de pie tiene una válvula de asiento desmontable. En caso de que la congelación de las tuberías de descarga sea un problema, simplemente desatornille la malla del filtro, retire la válvula de asiento y el resorte, y reemplace el filtro. SumpJet ahora permitirá que el agua fluya de vuelta al pozo, eliminando la congelación del tubo de descarga.
- ◆ Presión máxima de agua = 100 psi (690 kPa) con la válvula cerrada.

- ◆ Presión de agua mínima recomendada (por delante del dispositivo de prevención de reflujo) = 30 psi (207 kPa) con la válvula abierta (es posible que una menor presión no propulse el agua del sótano adecuadamente).
- ◆ Para la protección nominal de contraflujo, SumpJet está preequipado con una válvula de retención interna certificada según ASME A112.18.3 y ASME A112.18.1/CSA B125.1.
- ◆ La descarga de SumpJet no se debe conectar a la bomba de sumidero principal.
- ◆ La descarga de SumpJet no debe conectarse directamente al drenaje municipal.
- ◆ Se debe usar un espacio de aire con un espacio mínimo de 1", o la descarga debe dirigirse fuera del edificio, con el extremo del tubo entre 150 y 610 mm (entre 6 y 24 pulgadas) sobre el nivel del suelo o el nivel de inundación del área que recibe la descarga.
- ◆ La entrada de SumpJet está equipada de fábrica con un conector de tubería a presión SharkBite®. Este accesorio se puede usar con varios tubos y tuberías de agua potable de 3/4", como tubos PEX (ASTM F876, CSA B137.5), tubos de cobre (ASTM B 88) o tubos CTS CPVC (ASTM D 2846, CSA B137.6). Para obtener más detalles sobre el uso de SharkBite, visite [www.sharkbite.com](http://www.sharkbite.com).
- ◆ No use sellador de tipo pegamento en las roscas de entrada ni suelde las conexiones de cobre a una distancia de 18" del cuerpo del dispositivo SumpJet. Use cinta de sellado de PTFE (Teflon®) solo cuando ensamble accesorios roscados en la entrada de SumpJet. No apriete demasiado el accesorio de entrada roscado ni lo sostenga en la cubierta del émbolo del flotador cuando lo apriete.
- ◆ Purgue la línea de agua antes de conectarla a SumpJet para asegurarse de que la suciedad no entre en la unidad y obstruya la válvula de operación.
- ◆ El dispositivo SumpJet utiliza una válvula de acción rápida que, según el UPC, requiere el uso de un dispositivo aprobado para absorber la presión del agua para evitar el golpe de ariete.
- ◆ No use SumpJet en agua a más de 130 °F.

Tabla 1. Especificaciones de SumpJet

Presión de agua en la entrada de SumpJet con válvula abierta y flujo de agua		Remoción de agua de sumidero en varias cabezas (cabeza estática en tubo de 1-1/2" o más grande)											
		4 pies		1.21 m	8 pies		2.4 m	12 pies		3.6 m	15 pies		4.5 m
PSI	KPA	GPM	GPH	M <sup>3</sup> /hr	GPM	GPH	M <sup>3</sup> /hr	GPM	GPH	M <sup>3</sup> /hr	GPM	GPH	M <sup>3</sup> /hr
20	138	11.0	660	2.5	5.8	348	1.3						
30	207	12.8	765	2.9	9	540	2.0	5.5	330	1.2			
40	276	15.4	924	3.5	12.5	750	2.8	9.3	558	2.1	7.2	432	1.6
50	345	17.2	1032	3.9	14.5	870	3.3	12	720	2.7	10	600	2.3
60	414	19.8	1185	4.5	17	1020	3.9	15.2	912	3.5	13.5	810	3.1

**Nota:** Para un rendimiento óptimo, la presión de operación mínima recomendada es de 30 psi. El uso de un dispositivo de RP/RPZ puede reducir la presión de operación.

## Información general

Asegúrese de leer y comprender este manual antes de instalar y usar esta bomba. Cada bomba Liberty Pumps se prueba individualmente en fábrica para garantizar un rendimiento adecuado. Si se respetan estas instrucciones, se evitarán posibles problemas operativos y se asegurarán años de funcionamiento sin problemas.

Los productos de Liberty Pumps están diseñados para un mantenimiento mínimo. Sin embargo, los controles regulares garantizarán una vida más larga y una mayor confiabilidad operativa.

**GARANTÍA:** No se deben realizar trabajos de reparación durante el período de garantía sin la aprobación previa de fábrica. Hacerlo puede invalidar la garantía.

**NÚMERO DE SERIE DE LA BOMBA:** En toda la correspondencia y los informes, asegúrese de que se indique el número de serie de la bomba.

### Diseño de la bomba

SumpJet de Liberty Pumps está diseñado para respaldo de emergencia a un sistema de bomba existente. Utiliza el suministro de agua municipal para evacuar agua del sumidero. No está destinado para ser utilizado como la bomba principal de eliminación de agua del sumidero. Solo está destinado a quitar agua de sumidero limpia.

El uso prolongado de SumpJet dará como resultado un mayor consumo municipal de agua. SumpJet usa aproximadamente 1 galón de agua para remover 2 galones de agua del sumidero, dependiendo de la elevación.

### Alarma opcional

Liberty Pumps recomienda el uso de una alarma de agua alta audible. El modelo SJ10A tiene un sistema de alarma para avisar cuando SumpJet está activado. El modelo SJ10A-EYE presenta la alarma NightEye® para protección de alarma inalámbrica. Si el modelo SJ10 se compró sin una alarma, puede solicitar una alarma (ALM-P1 o ALM-P1-EYE) a su distribuidor local o comunicarse con Liberty Pumps para obtener más información.

### Inspección en el momento de recepción

El contenedor de envío debe inspeccionarse inmediatamente en busca de daños que puedan haberse producido durante el envío. Tenga cuidado al abrir el contenedor de envío para evitar dañar la bomba. Quite cualquier bloqueo y relleno de amortiguación que esté dentro del contenedor.

Revise todos los elementos de amortiguación en busca de piezas de repuesto antes de desecharlos. Verifique visualmente la bomba y cualquier pieza en busca de daños. Informe cualquier daño o falta de piezas.

### Almacenamiento antes del uso

Los productos de Liberty Pumps se envían de fábrica listos para su instalación y uso. Deben mantenerse en un almacenamiento si la estación de bombeo no está completa. Si el almacenamiento es necesario, la bomba debe permanecer en su contenedor de envío. Debe almacenarse en un depósito u otro lugar que tenga un área limpia, seca y con temperatura estable. La bomba y su contenedor deben cubrirse para protegerlos del agua, la suciedad, el polvo, etc.

### AVISO

- ◆ En ningún momento la bomba debe almacenarse dentro de un pozo húmedo incompleto. La bomba no debe colocarse en el pozo hasta que pueda estar en pleno funcionamiento.

### Almacenamiento a largo plazo

Si se requiere el almacenamiento a largo plazo de SumpJet, debe almacenarse en interiores en un ambiente limpio, seco y con temperatura estable. La bomba debe cubrirse para protegerla del agua, la suciedad, el polvo, etc. No permita que la bomba se congele.

### Mantenimiento

Las bombas instaladas que estén inactivas por períodos de tiempo largos deben operarse manualmente una vez al mes para asegurar el funcionamiento correcto.

Verifique el funcionamiento correcto del flotador y limpie cualquier residuo que pueda haber en el flotador o en la pantalla de succión. Asegúrese de que el flotador funcione libremente sin restricciones.

### Instalación

#### ADVERTENCIA



#### RIESGO DE SHOCK ELÉCTRICO

- Siempre desconecte las bombas eléctricas de la fuente de alimentación antes de manipular, instalar o ajustar SumpJet.

### AVISO

- ◆ SumpJet viene completamente ensamblado. Solo se requiere ubicarlo y conectarlo.
- ◆ No use una manguera de jardín. Las mangueras de jardín no están diseñadas para soportar la presión municipal indefinidamente. Podría tener una pérdida o explotar y causar inundaciones. SumpJet requiere métodos de tuberías permanentes, como cobre, PEX o CTS CPVC, o cualquier otro método de plomería permanente, para la instalación. Para lograr el máximo rendimiento del dispositivo SumpJet, se recomienda que la unidad tenga una tubería de 3/4". Todas las tuberías de suministro de agua deben estar hechas con materiales y métodos aprobados por los códigos de plomería locales.
- ◆ Para la protección de flujo de retorno nominal, SumpJet viene equipado con una válvula de retención interna certificada según ASME A112.18.3 y ASME A112.18.1/CSA B125.1. El instalador debe proporcionar protección contra reflujo adicional para cumplir con los requisitos del código de plomería local o los requisitos de la autoridad de agua local. **Según el Uniform Plumbing Code® y los códigos de plomería de algunos estados, incluido el estado de Michigan, la instalación de este producto requiere el uso de un dispositivo de protección contra reflujo RP/RPZ.** Póngase en contacto con su autoridad local de plomería o agua para obtener más información sobre los requisitos para su área específica.
- ◆ La descarga del dispositivo SumpJet no se debe conectar a la bomba de sumidero principal.
- ◆ La descarga del dispositivo SumpJet no debe conectarse directamente al drenaje municipal.
- ◆ Se debe usar un espacio de aire con un espacio mínimo de 1", o la descarga debe dirigirse fuera del edificio, con el extremo del tubo entre 150 y 610 mm (entre 6 y 24 pulgadas) sobre el nivel del suelo o el nivel de inundación del área que recibe la descarga.

- ♦ La entrada de SumpJet está equipada de fábrica con un conector de tubería a presión, SharkBite, y se puede usar con PEX, CTS CPVC o tubería de cobre.

### Pasos de instalación

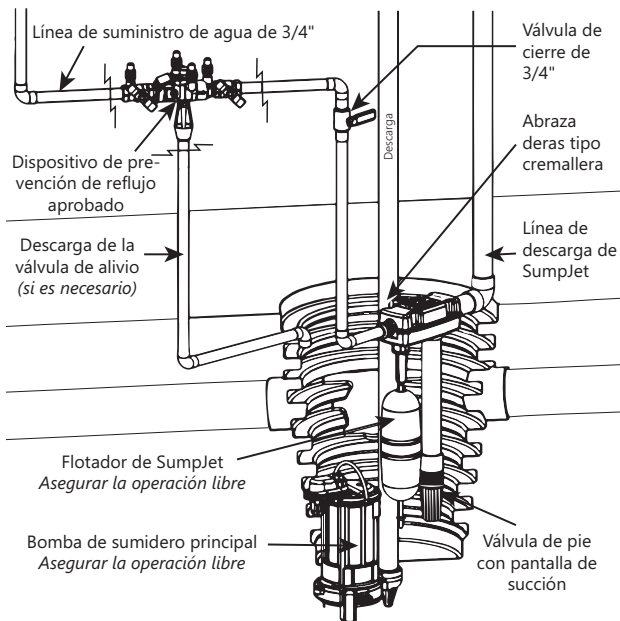


Figura 1. Instalación típica

1. Usando las abrazaderas tipo cremallera proporcionadas, monte el dispositivo SumpJet en la tubería de descarga existente. Coloque la unidad de modo que el nivel de flotación opere unas pulgadas por encima del nivel de encendido de la bomba de sumidero principal. (Consulte la Figura 2). Apriete las abrazaderas tipo cremallera en la tubería de descarga.

**Nota:** Si este tipo de instalación no funciona, consulte la instalación alternativa del Paso 10.

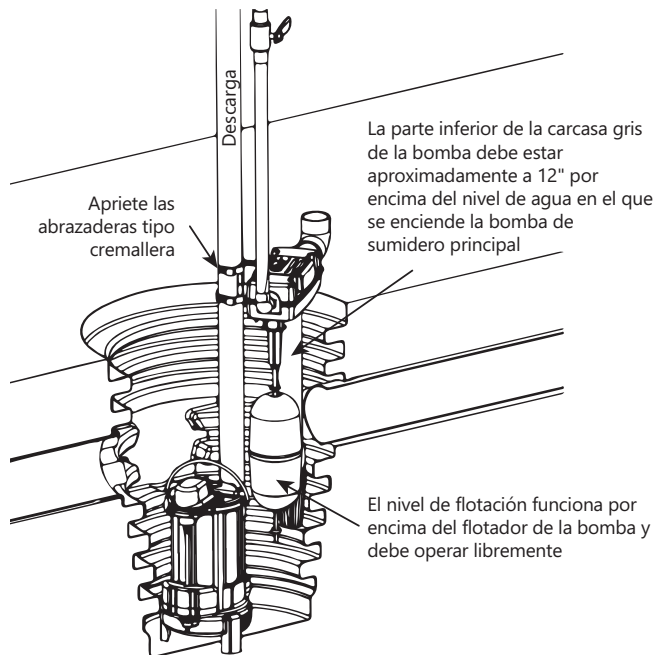


Figura 2. Colocación de SumpJet

2. Después de montar el dispositivo SumpJet, prepárese para conectarse a la línea de suministro de agua municipal existente. Cierre el suministro de agua municipal y coloque los tubos o las tuberías en la línea de suministro de agua municipal. Utilice la prevención de reflujo adecuada según los códigos locales y la jurisdicción.

El suministro de agua y la tubería de descarga requieren una unión u otro accesorio de desconexión rápida para que la bomba sea accesible para el mantenimiento, y una válvula de cierre dedicada instalada en la línea de suministro de agua dentro de los 6 pies (1,8 m) de la bomba. Todas las tuberías de suministro de agua deben estar hechas con materiales y métodos aprobados por los códigos de plomería locales.

3. Antes de conectar la línea de suministro de agua al dispositivo SumpJet, purgue la línea de agua para asegurarse de que esté libre de escombros, soldadura, sellador de tuberías, etc.
4. Para conectar la línea de suministro de agua a SharkBite, corte el extremo cuadrado del tubo. Asegúrese de que no haya rebabas o raspaduras a 1" del extremo cortado.
  - 4a. Marque la tubería a 1" del extremo cortado para indicar la profundidad de inserción adecuada. Si usa tubos PEX, se debe usar el revestimiento del tubo en el extremo de SharkBite. Para tuberías de cobre y CTS CPVC, se debe quitar el revestimiento del tubo (use los dedos o pinzas).
  - 4b. Inserte la tubería en el SharkBite a través del collar de liberación para que descance contra el anillo de agarre.
  - 4c. Empuje el tubo firmemente hasta que llegue al tope del tubo.
  - 4d. Para asegurarse de que el tubo esté insertado correctamente, verifique que la marca de profundidad esté hasta el final del collar de liberación.
5. Si se quita el accesorio SharkBite para conectar el tubo a otros tipos de accesorios roscados NPT de 3/4", asegúrese de quitar toda la cinta de sellado de la entrada roscada del SumpJet. Use una herramienta pequeña de tipo gancho si es necesario. No permita que ningún residuo ingrese al cuerpo de la válvula.

#### AVISO

- ♦ Si vuelve a conectar el SharkBite u otro accesorio roscado, use cinta de sellado de PTFE (Teflon®) solo cuando ensamble accesorios roscados en la entrada de SumpJet.
  - ♦ No apriete demasiado el accesorio de entrada roscado ni lo sostenga en la cubierta del émbolo del flotador cuando lo apriete.
  - ♦ No suelde tuberías o accesorios conectados directamente al SumpJet. El calor transferido del cobre dañará las piezas de plástico.
6. Determine la longitud de la tubería de descarga requerida al punto de salida de descarga. Utilizando la tubería de PVC calibre 40, pegue la tubería de descarga al codo de acople del SumpJet. Complete todas las tuberías de descarga. La tubería de descarga debe dirigirse al patio fuera del edificio.

**Nota:** El SumpJet viene completo con una válvula de pie. No es necesario instalar una válvula de retención en la tubería de descarga.



**Nota:** La válvula de pie tiene una válvula de asiento desmontable. En caso de que la congelación de las tuberías de descarga sea un problema, simplemente desatornille la malla del filtro, retire la válvula de asiento y el resorte, y reemplace el filtro. SumpJet ahora permitirá que el agua fluya de vuelta al pozo, eliminando la congelación del tubo de descarga.

7. Vuelva a abrir el suministro de agua municipal y abra la válvula de cierre. Verifique si hay fugas. Pruebe el SumpJet para asegurarse de que funcione llenando el pozo del sumidero con agua de una manguera de jardín o un balde.
8. Vuelva a conectar la bomba de sumidero eléctrica principal a la fuente de alimentación.
9. Si se debe cubrir el sumidero, será necesario agregar orificios y ranuras adicionales para acceder al tubo de succión y la varilla flotante de SumpJet. Consulte la plantilla provista en la Figura 4.
10. Si el SumpJet no se puede montar en la tubería de descarga de la bomba de sumidero principal, se puede usar una pieza de madera para montar el SumpJet. Corte los agujeros según la Figura 4. Hay cuatro orificios para tornillos para sujetar el SumpJet a la madera. Use tornillos para madera n.º 8 x 2,5" de largo. Consulte la Figura 3.

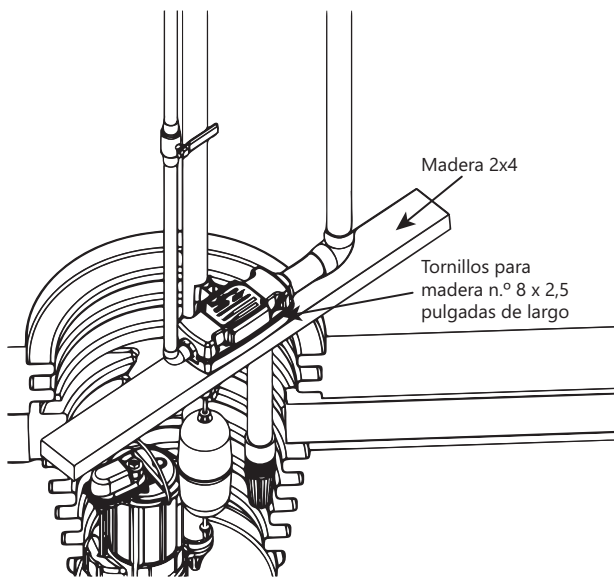


Figura 3. Instalación alternativa de SumpJet

## Garantía

### Garantía limitada de Liberty Pumps Wholesale Products

Liberty Pumps, Inc. garantiza que los productos al por mayor de Liberty Pumps están libres de defectos de fábrica en cuanto a materiales y mano de obra por un período de tres (3) años a partir de la fecha de compra (sin incluir las baterías). La fecha de compra se determinará mediante un recibo de venta con fecha que indique el modelo y el número de serie de la bomba. El recibo de venta fechado debe acompañar a la bomba devuelta si la fecha de devolución es superior a tres años desde la fecha de fabricación indicada en la placa de identificación.

La única obligación del fabricante bajo esta Garantía se limitará a la reparación o el reemplazo de cualquier pieza que el fabricante considere defectuosa, siempre que la pieza o el ensamblaje se devuelvan con flete prepago al fabricante o al centro de servicio autorizado, y siempre que no se manifieste ninguna de las siguientes características de anulación de la garantía:

El fabricante no será responsable bajo esta Garantía si el producto no se ha instalado, operado o mantenido correctamente según las instrucciones del fabricante; si ha sido desmontado, modificado, utilizado indebidamente o alterado; si el cable eléctrico ha sido cortado, dañado o empalmado; si la descarga de la bomba se ha reducido en tamaño; si la bomba se ha utilizado en temperaturas de agua superiores a la calificación indicada; si la bomba se ha utilizado en agua que contiene arena, cal, cemento, grava u otros abrasivos; si el producto se ha utilizado para bombear productos químicos, grasa o hidrocarburos; si un motor no sumergible ha sido sometido a humedad; o si la etiqueta que lleva el modelo y el número de serie ha sido eliminada.

Liberty Pumps, Inc. no será responsable por ninguna pérdida, daño o gasto que resulte de la instalación o el uso de sus productos, ni por daños indirectos, incidentales y consecuentes, incluidos los costos de remoción, reinstalación o transporte.

**No hay ninguna otra garantía expresa. Todas las garantías implícitas, incluidas las de comerciabilidad e idoneidad para un fin determinado, están limitadas a tres años a partir de la fecha de compra. Esta Garantía contiene el único recurso para el comprador y, donde esté permitido, se excluye la responsabilidad por daños consecuentes o incidentales bajo cualquiera y todas las garantías.**

Plantilla de orificios

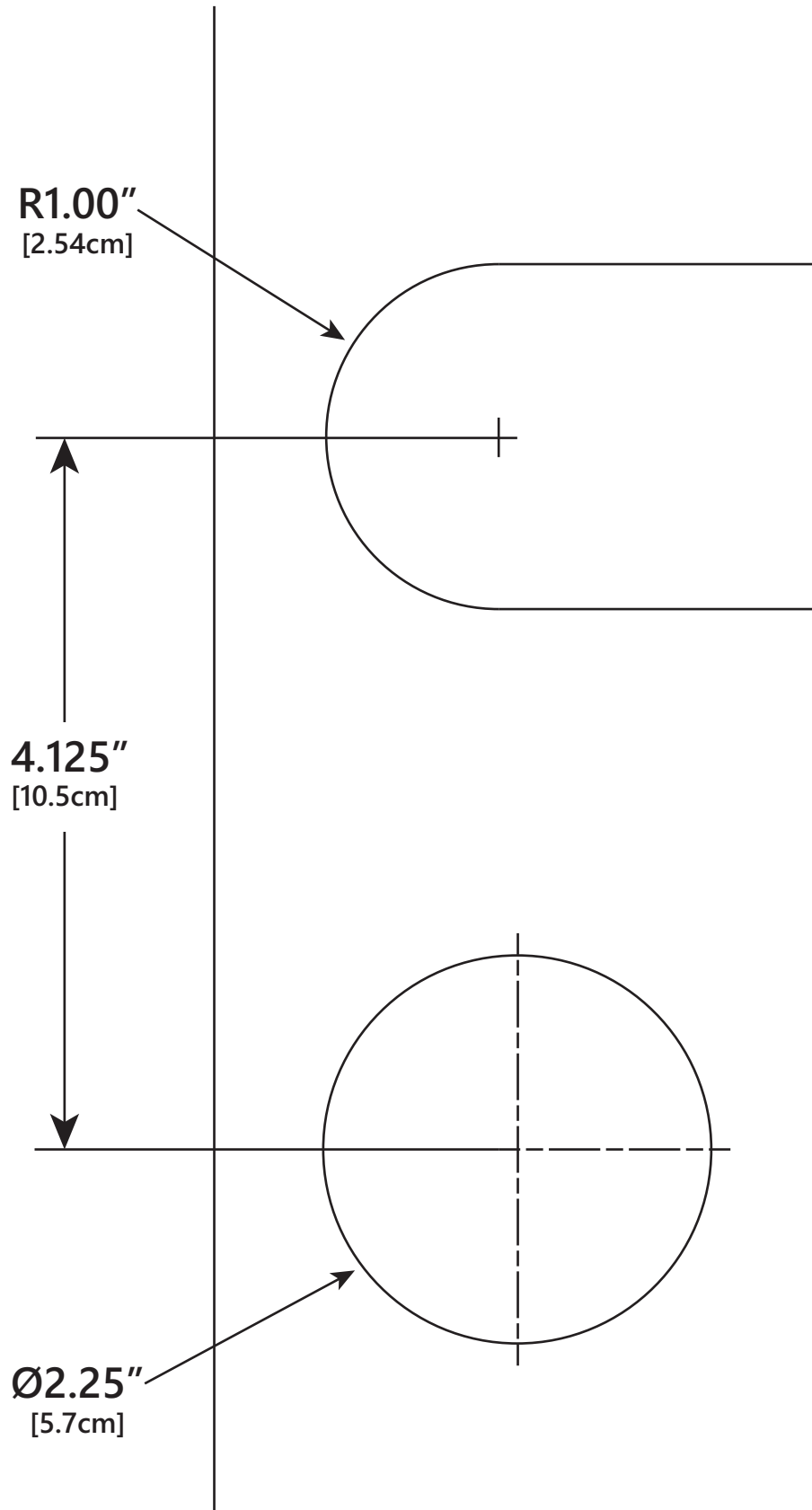


Figura 4. SumpJet plantilla de orificios



7000 Apple Tree Avenue  
Bergen, NY 14416  
teléfono: 800-543-2550  
fax: 585-494-1839  
[www.libertypumps.com](http://www.libertypumps.com)



## Manuel d'Installation

582400H

# Systeme de secours alimenté à l'eau SumpJet®

## Modèles

**SJ10**

*Sans alarme*

**SJ10A**

*Avec alarme*

**SJ10A-EYE**

*Avec Alarme NightEye®*



**SJ10A**



**SJ10A-EYE**





7000 Apple Tree Avenue  
Bergen, NY 14416 USA  
téléphone: 800-543-2550  
fax: 585-494-1839  
[www.libertypumps.com](http://www.libertypumps.com)



# Table des matières

Mesures de sécurité .....	3
Renseignements généraux .....	4
Installation .....	4
Garantie .....	6
Gabarit de découpage .....	7

## Consignes de sécurité

	Ce symbole d'alerte de sécurité est utilisé dans le manuel et sur la pompe pour signaler un risque éventuel de blessures graves ou mortelles.
	Ce symbole d'alerte de sécurité identifie le <b>risque de choc électrique</b> . Il est accompagné d'instructions destinées à minimiser le risque éventuel de choc électrique.
	Ce symbole d'alerte de sécurité identifie le <b>risque d'incendie</b> . Il est accompagné d'instructions destinées à minimiser les risques éventuels d'incendie.
	Ce symbole d'alerte de sécurité identifie le <b>risque de blessures graves ou mortelles</b> . Il est accompagné d'instructions destinées à minimiser les risques éventuels de blessures graves ou mortelles.
<b>DANGER</b>	Il met en garde contre les dangers qui, s'ils sont négligés, <b>vont</b> entraîner des blessures graves ou mortelles.
<b>AVERTISSEMENT</b>	Il met en garde contre les dangers qui, s'ils sont négligés, <b>pourraient</b> entraîner des blessures graves ou mortelles.
<b>ATTENTION</b>	Il met en garde contre les dangers qui, s'ils sont négligés, peuvent entraîner des blessures légères ou moyennes.
<b>AVIS</b>	Signale une instruction importante liée à la pompe. Le non-respect de ces instructions peut entraîner une défaillance de la pompe ou des dommages matériels.

<b>AVERTISSEMENT</b>	<b>Lire tous les manuels fournis avant d'utiliser le système de pompe. Suivre l'ensemble des consignes de sécurité décrites dans le (les) manuel(s) et celles qui apparaissent sur la pompe. Le non-respect de ces consignes pourrait entraîner des blessures graves ou mortelles.</b>
<b>AVIS</b>	<b>Message à l'installateur : le manuel doit demeurer auprès du propriétaire ou de l'opérateur/ responsable de l'entretien du système.</b>
<p>Garder ce manuel à portée de main pour référence future.</p> <p>Pour obtenir un manuel de remplacement, visiter le site <a href="http://libertypumps.com">libertypumps.com</a>, ou communiquer avec Liberty Pumps au 1-800-543-2550.</p> <p>Conserver le reçu de vente daté pour la garantie.</p>	<p>Enregistrer les informations de la plaque signalétique de la pompe:</p> <p>N° de modèle de pompe: _____</p> <p>N° de série de la pompe: _____</p> <p>Date de fabrication: _____</p> <p>Date d'installation: _____</p>

## Mesures de sécurité

### AVERTISSEMENT RISQUE DE CHOC ELECTRIQUE

- ◆ Toujours débrancher toute pompe électrique de sa source d'alimentation avant de la manipuler, de l'installer ou d'effectuer des réglages.

### AVERTISSEMENT RISQUE DE BLESSURE GRAVE OU DE MORT

- ◆ L'eau de bassin est non potable. Pour réduire les risques de contamination de la source d'eau potable, il est nécessaire qu'un dispositif de protection antirefoulement supplémentaire soit mis en place lors de l'installation, afin de respecter les exigences du code de plomberie local ou les exigences des autorités réglementaires locales responsables de l'eau. **Conformément au Uniform Plumbing Code® et aux codes de plomberie de certains États, y compris de l'État du Michigan, l'installation de ce produit nécessite l'utilisation d'un dispositif de protection anti-refoulement RP/RPZ (dispositif à pression réduite/ dispositif à zone de pression réduite).** Communiquez avec votre autorité locale en matière de plomberie ou d'eau pour en savoir plus sur les exigences de votre région.

### ATTENTION

- ◆ La SumpJet est conçue pour être utilisée dans de l'eau claire seulement. Elle n'est pas destinée au pompage d'eaux usées, résiduaires, d'effluents ou d'eau contenant des débris.

### AVIS

- ◆ La SumpJet est conçue pour fonctionner sur le réseau d'eau de ville et servir de pompe de secours au système de pompage existant.
- ◆ La pompe SumpJet est équipée d'un clapet de pied et ne nécessite donc pas la pose d'un clapet antiretour sur la conduite d'évacuation. Le clapet de pied comporte un obturateur amovible. Aux endroits où le gel des tuyaux d'évacuation est possible, il suffit de dévisser le filtre à tamis, de déposer l'obturateur et le ressort et de reposer le filtre. La pompe SumpJet permet alors le retour de l'eau vers le puisard, éliminant le risque de gel dans la conduite d'évacuation.
- ◆ Pression d'eau maximale = 690 kPa (100 psi) soupape fermée.

- ◆ Pression d'eau minimale recommandée (en amont du dispositif antirefoulement) = 207 kPa (30 psi) soupape ouverte (avec moins de pression, l'eau peut ne pas être éjectée adéquatement du sous-sol).
- ◆ La protection antirefoulement de base de la pompe SumpJet est assurée par un clapet antiretour interne installé en usine et certifié conforme aux normes ASME A112.18.3 et ASME A112.18.1/CSA B125.1.
- ◆ Le refoulement de la SumpJet ne doit pas être connecté à la pompe de puisard principale.
- ◆ Le refoulement de la SumpJet ne doit pas être connecté directement à la conduite d'égoût municipale.
- ◆ Il faut prévoir un intervalle antiretour d'au moins 25 mm (1 po), ou encore diriger la conduite d'évacuation vers l'extérieur du bâtiment, en s'assurant que l'extrémité du tuyau se situe de 150 à 610 mm (de 6 à 24 po) au-dessus du sol ou du niveau de la zone recevant l'évacuation.
- ◆ L'entrée de la pompe SumpJet est pourvue, en usine, d'un raccordement à poussoir SharkBite®. Ce raccordement peut être utilisé avec divers types de tuyaux à eau potable de ¾ po, comme le tuyau de polyéthylène réticulé (PEX) (ASTM F876, CSA B137.5), de cuivre (ASTM B 88) ou de CTS CPVC (ASTM D 2846, CSA B137.6). Pour plus de détails sur l'utilisation du SharkBite, consulter :www.sharkbite.com.
- ◆ Ne pas utiliser de pâte à joint sur le filetage de l'entrée et ne pas souder les raccordements de cuivre à moins de 46 cm (18 po) du boîtier de la pompe SumpJet. Utiliser uniquement du ruban d'étanchéité de PTFE (Teflon®) pour réunir les raccordements filetés à l'entrée de la pompe SumpJet. Ne pas trop serrer les raccordements filetés de l'entrée et ne pas tenir le protecteur du flotteur en resserrant.
- ◆ Purger la canalisation d'eau avant de la raccorder à la pompe SumpJet afin de s'assurer qu'aucun débris ne pénètre dans l'appareil et ne vienne nuire au fonctionnement de la soupape.
- ◆ La SumpJet fonctionne avec une soupape à réaction rapide qui, selon UPC, nécessite l'installation d'un dispositif approuvé d'absorption de la pression de l'eau, afin de prévenir les coups de bélier.
- ◆ Ne pas utiliser la SumpJet pour de l'eau plus chaude que 65,5 °C (130 °F).

**Remarque :** La pression de fonctionnement minimale conseillée pour un rendement optimal est de 207 kPa (30 psi). L'utilisation d'un dispositif RPZ peut réduire la pression nominale.

Table 1. Caractéristiques de la SumpJet

Pression d'eau à l'entrée de la pompe SumpJet avec soupape ouverte et écoulement d'eau		Extraction d'eau de puisard à diverses hauteurs. (élévation statique dans tuyau de 38 mm [1 ½ po] ou plus)											
HAUTEUR D'ASPIRATION		4 pi		1,21 m	8 pi		2,4 m	12 pi		3,6 m	15 pi		4,5 m
PSI	KPA	gal/min	gal/hr	M <sup>3</sup> /hr	gal/min	gal/hr	M <sup>3</sup> /hr	gal/min	gal/hr	M <sup>3</sup> /hr	gal/min	gal/hr	M <sup>3</sup> /hr
20,	138	11,0	660	2,5	5,8	348	1,3						
30	207	12,8	765	2,9	9	540	2,0	5,5	330	1,2			
40	276	15,4	924	3,5	12,5	750	2,8	9,3	558	2,1	7,2	432	1,6
50	345	17,2	1032	3,9	14,5	870	3,3	12	720	2,7	10	600	2,3
60	414	19,8	1185	4,5	17	1020	3,9	15,2	912	3,5	13,5	810	3,1

## Renseignements généraux

Assurez-vous d'avoir lu et compris ce manuel avant d'installer et d'utiliser cette pompe. Chaque pompe de marque Liberty est testée individuellement en usine pour en assurer le bon fonctionnement. Le fait de suivre ces directives à la lettre éliminera les risques de problèmes de fonctionnement et assurera des années de service sans incident.

Les produits Liberty Pumps sont conçus pour ne nécessiter qu'un entretien minimal. Toutefois, des vérifications régulières assureront une plus grande durabilité et une meilleure fiabilité d'utilisation.

**GARANTIE** : Aucun travail de réparation ne devrait être effectué au cours de la période de garantie sans l'obtention de l'autorisation préalable du fabricant. Une telle situation annulerait la garantie.

**NUMÉRO DE SÉRIE DE LA POMPE** : S'assurer que le numéro de série de la pompe figure dans toute la correspondance et les rapports.

### Conception de pompe

La SumpJet de Liberty Pumps est conçue pour servir de pompe de secours au système de pompage existant. Elle utilise l'eau du réseau de l'aqueduc municipal pour aspirer l'eau du puisard. Elle n'est pas destinée à servir de pompe d'assèchement principale. Elle est conçue pour aspirer uniquement de l'eau de puisard claire.

L'utilisation prolongée de la pompe SumpJet entraîne en une consommation élevée d'eau de l'aqueduc. La pompe SumpJet consomme en moyenne 1 litre d'eau pour aspirer 2 litres d'eau de puisard, selon l'élévation.

### Alarme facultative

Liberty Pumps recommande d'installer une alarme sonore de dépassement de niveau. Le modèle SJ10A dispose d'un système d'alarme pour vous avertir lorsque la SumpJet est activée. Le modèle SJ10A-EYE dispose de l'alarme NightEye® procurant une protection d'alarme sans fil. Si le modèle SJ10 a été acheté sans alarme, une alarme (ALM-P1 ou ALM-P1-EYE) peut être commandée auprès de votre distributeur local. Sinon, vous pouvez communiquer avec Liberty Pumps pour en savoir plus.

### Inspection à la réception

Le contenant d'expédition devrait être inspecté immédiatement afin de s'assurer qu'aucun dommage ne s'est produit au cours de l'expédition. Faire attention lors de l'ouverture du contenant d'expédition afin d'éviter d'endommager la pompe. Retirer tout matériel de bourrage et de calage du contenant.

Avant de jeter le matériel de bourrage, vérifiez s'il ne s'y trouve pas de petites pièces. Inspecter visuellement la pompe et toute pièce afin de s'assurer que celles-ci ne comportent aucun dommage. Signaler tout dommage ou toute pièce manquante.

### Entreposage avant utilisation

Les produits Liberty Pumps sont expédiés de l'usine prêts à être installés et utilisés. Ils devraient être entreposés si la station de pompage n'est pas complète. S'il est nécessaire d'entreposer la pompe, celle-ci doit demeurer dans son contenant d'expédition. Elle devrait être conservée dans un entrepôt ou une remise, dans un endroit propre, sec et dont la température est stable. Il faut couvrir la pompe et son contenant pour les protéger de l'eau, de la saleté, de la poussière, etc.

## AVIS

- ◆ La pompe ne devrait jamais être entreposée dans un puisard non achevé. La pompe ne doit pas être déposée dans le puisard tant qu'elle n'est pas complètement opérationnelle.

### Entreposage prolongé

S'il est nécessaire d'entreposer la SumpJet pendant une période prolongée, elle devrait être conservée à l'intérieur dans un environnement propre et sec dont la température est stable. La pompe devrait être recouverte afin de les protéger de l'eau, de la poussière et de la saleté. Ne pas laisser la pompe geler.

### Entretien

Si une pompe installée reste inutilisée durant des périodes prolongées, il convient de l'actionner manuellement une fois par mois pour assurer son bon fonctionnement.

Contrôler le bon fonctionnement du flotteur et nettoyer le flotteur et le filtre d'aspiration de tous débris éventuels. Vérifier que le flotteur fonctionne librement sans restriction.

## Installation



AVERTISSEMENT



RISQUE DE CHOC ELECTRIQUE

- ◆ Toujours débrancher toute pompe électrique de sa source d'alimentation avant de la manipuler, de l'installer ou d'effectuer des réglages.

## AVIS

- ◆ La SumpJet est fournie entièrement assemblée. Seuls sa mise en place et son raccordement sont nécessaires.
- ◆ Ne pas utiliser de tuyau d'arrosage de jardin. Les tuyaux de jardin ne sont pas conçus pour résister indéfiniment à la pression du réseau d'aqueduc municipal. Ils peuvent fuir ou éclater et provoquer une inondation. La SumpJet nécessite l'installation de conduites permanentes adéquates faites de cuivre, de polyéthylène réticulé (PEX) ou de CTS CPVC ou de toute autre installation de plomberie permanente. Pour obtenir un rendement optimal de la pompe SumpJet, il est recommandé de raccorder l'appareil à un tuyau de 3/4 po. Toute la tuyauterie d'alimentation en eau doit être faite de matériaux et au moyen de méthodes approuvés par les codes de plomberie locaux.
- ◆ La protection antirefoulement de base de la pompe SumpJet est assurée par un clapet antiretour interne installé en usine et certifié conforme aux normes ASME A112.18.3 et ASME A112.18.1/CSA B125.1. Il est nécessaire qu'un dispositif de protection antirefoulement supplémentaire soit mis en place lors de l'installation, afin de respecter les exigences du code de plomberie local ou les exigences des autorités réglementaires locales responsables de l'eau.  
**Conformément au Uniform Plumbing Code et aux codes de plomberie de certains États, y compris de l'État du Michigan, l'installation de ce produit nécessite l'utilisation d'un dispositif de protection anti-refoulement RP/RPZ.** Communiquez avec votre autorité locale en matière de plomberie ou d'eau pour en savoir plus sur les exigences de votre région.
- ◆ Le refoulement de la SumpJet ne doit pas être connecté à la pompe de puisard principale.
- ◆ L'évacuation de la SumpJet ne doit pas se faire directement dans la conduite d'égout municipale.
- ◆ L'entrée de la pompe SumpJet est déjà pourvue d'un raccordement à poussoir SharkBite convenant aux tuyaux de PEX, de CTS CPVC ou de cuivre.

- ♦ Il faut prévoir un intervalle antiretour d'au moins 25 mm (1 po), ou encore diriger la conduite d'évacuation vers l'extérieur du bâtiment, en s'assurant que l'extrémité du tuyau se situe de 150 à 610 mm (de 6 à 24 po) au-dessus du sol ou du niveau de la zone recevant l'évacuation.

## Étapes d'installation

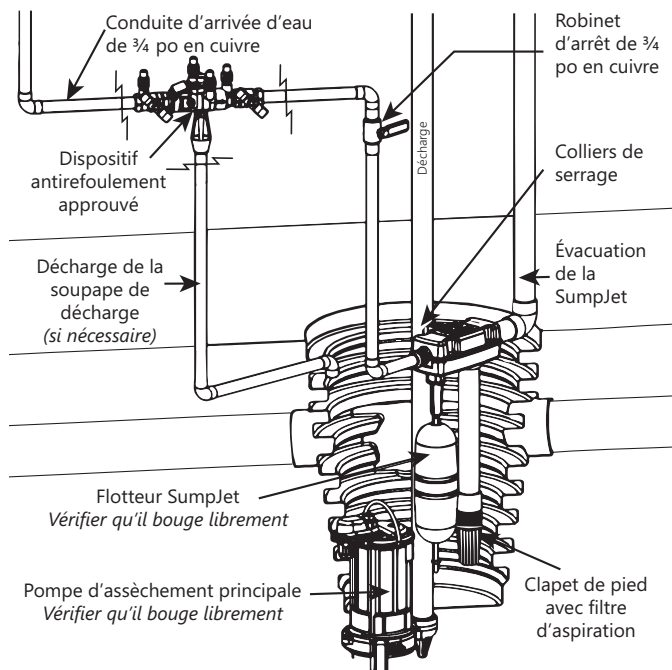


Figure 1. Installation type

1. À l'aide des colliers de serrage fournis, monter la pompe SumpJet sur le tuyau d'évacuation existant. Poser la pompe de manière à ce que le niveau d'actionnement du flotteur soit à quelques centimètres au-dessus de celui du flotteur de la pompe d'assèchement principale. (Voir Figure 2.) Serrer les colliers sur le tuyau d'évacuation.

**Remarque :** Si ce type d'installation ne fonctionne pas, se reporter à la configuration de pose de l'étape 10.

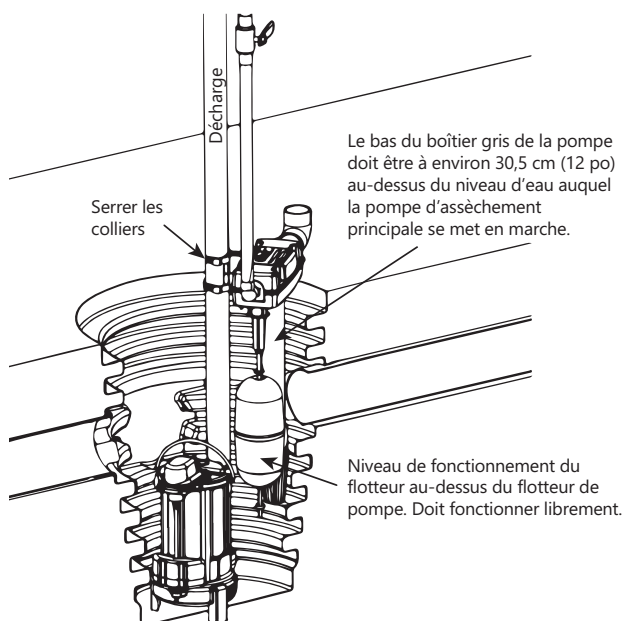


Figure 2. Mise en place de la SumpJet

2. Une fois la pompe SumpJet installée, elle est prête à être raccordée au réseau d'aqueduc municipal. Couper l'alimentation en eau de l'aqueduc et raccorder le tuyau ou la canalisation sur la conduite d'alimentation. Utiliser le dispositif antirefoulement recommandé par les codes locaux et les autorités réglementaires.

La tuyauterie d'alimentation en eau et d'évacuation nécessite une union ou un autre raccord à déconnexion rapide afin que la pompe soit accessible pour l'entretien, en plus d'un robinet d'arrêt dédié installé sur la conduite d'alimentation en eau à moins de 1,8 m (6 pi) de la pompe. Toute la tuyauterie d'alimentation en eau doit être faite de matériaux et au moyen de méthodes approuvés par les codes de plomberie locaux.

3. Avant de raccorder la canalisation d'alimentation en eau à la SumpJet, purger la canalisation afin de s'assurer qu'elle ne contient pas de débris, de résidus de soudure, d'agent d'étanchéité, etc.
4. Pour raccorder la canalisation d'alimentation en eau au SharkBite, couper perpendiculairement le tuyau. S'assurer qu'il n'y a aucune bavure ni égratignure à 25 mm (1 po) de l'extrémité coupée.
  - 4a. Marquer le tuyau à 25 mm (1 po) de l'extrémité coupée pour indiquer la profondeur à insérer. S'il s'agit d'un tuyau de polyéthylène réticulé (PEX), il est nécessaire d'utiliser la doublure à tuyau située à l'extrémité du raccordement SharkBite. Cette doublure doit être retirée en utilisant les doigts ou une pince s'il s'agit d'un tuyau de cuivre ou de CTS CPVC.
  - 4b. Insérer le tuyau dans le SharkBite par le collier de dégagement afin qu'il s'appuie contre l'anneau de prise.
  - 4c. Pousser le tuyau fermement jusqu'à ce qu'il atteigne le buttoir.
  - 4d. Afin d'assurer que le tuyau est correctement inséré, vérifier que la marque de profondeur est bien entrée jusqu'à l'extrémité de collier de dégagement.
5. Si le raccordement SharkBite doit être retiré pour le raccorder à d'autres types de raccordement fileté de 3/4 po NPT, s'assurer que tout le ruban d'étanchéité a bien été retiré de l'entrée filetée de la pompe SumpJet. Utiliser au besoin un petit outil pointu. Ne pas permettre aux débris de pénétrer dans le corps de la soupape.

### AVIS

- ♦ Pour raccorder le SharkBite ou un autre type de raccordement fileté, utiliser uniquement du ruban d'étanchéité PTFE (Teflon®) pour réunir les raccords filetés à l'entrée de la pompe SumpJet.
  - ♦ Ne pas trop serrer les raccords filetés de l'entrée et ne pas tenir le protecteur du flotteur en resserrant.
  - ♦ Ne pas souder les tuyaux ou raccords directement raccordés à la pompe SumpJet. La chaleur transmise à travers le cuivre endommagerait les pièces en plastique.
6. Déterminer la longueur de tuyau d'évacuation nécessaire jusqu'au point de sortie d'évacuation. En utilisant un tuyau en PVC de nomenclature 40, coller la conduite d'évacuation dans le coude femelle de la pompe SumpJet. Achever l'ensemble de la conduite d'évacuation. Le conduit d'évacuation doit être dirigé vers la cour, à l'extérieur de l'immeuble.



**Remarque :** La SumpJet est fournie équipée d'un clapet de pied. Il n'est pas nécessaire de poser un clapet antiretour sur la conduite d'évacuation.

**Remarque :** Le clapet de pied comporte un obturateur amovible. Aux endroits où le gel des tuyaux d'évacuation est possible, il suffit de dévisser le filtre à tamis, de déposer l'obturateur et le ressort et de reposer le filtre. La pompe SumpJet permet alors le retour de l'eau vers le puisard, éliminant le risque de gel dans la conduite d'évacuation.

7. Rétablir l'arrivée d'eau de l'aqueduc et ouvrir le robinet d'arrêt. Vérifier l'absence de fuites. Vérifier le bon fonctionnement de la SumpJet en remplissant d'eau le puisard à l'aide d'un seau ou d'un tuyau d'arrosage.
8. Rebrancher la pompe électrique principale à l'alimentation électrique.
9. Pour pouvoir mettre un couvercle de puisard en place, des trous et dégagements supplémentaires doivent être découpés pour le passage du tuyau d'aspiration et de la tige de flotteur de la pompe SumpJet. Utiliser le gabarit fourni à la Figure 4. Si la SumpJet ne peut pas être fixée au tuyau d'évacuation de la pompe d'assèchement principale, un morceau de bois peut être utilisé pour fixer la SumpJet. Découper des trous tel qu'indiqué à la Figure 4.
10. La SumpJet comporte quatre trous de vis pouvant être utilisés pour la fixer sur le bois. Utiliser des vis à bois no 8 de 6,4 cm (2,5 po) de long. Voir la Figure 3.

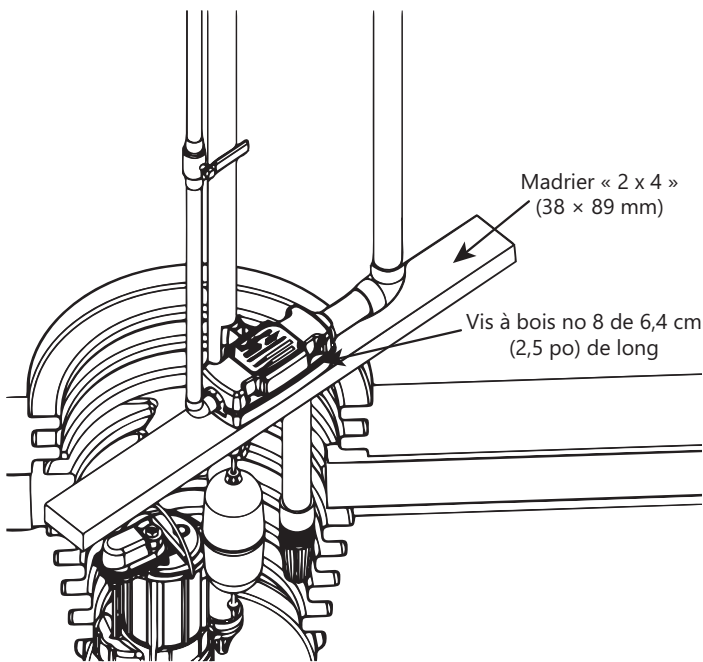


Figure 3. Autre installation de la SumpJet

## Garantie

### Liberty Pumps Wholesale Products Garantie limitée

Liberty Pumps, Inc. garantit que ses produits de gros sont exempts de tout défaut de matériau et de fabrication pour une période de trois (3) ans à partir de la date d'achat (à l'exception des batteries). La date d'achat est déterminée par un reçu de vente daté indiquant le modèle et le numéro de série de la pompe. Le reçu de vente daté doit accompagner la pompe retournée si la date de retour est supérieure de trois ans à la date de fabrication indiquée sur la plaque signalétique de la pompe.

L'obligation du fabricant en vertu de la présente garantie se limite à la réparation ou au remplacement de toute pièce jugée défectueuse par le fabricant, à condition que la pièce ou l'appareil soit retourné fret port payé au fabricant ou à son centre de service autorisé, et à condition qu'il n'y ait aucune preuve que les critères suivants annulant la garantie sont en cause:

Le fabricant ne sera pas responsable en vertu de la présente garantie si le produit n'a pas été installé, utilisé ou entretenu conformément aux instructions du fabricant; s'il a été démonté, modifié, dégradé ou altéré; si le cordon électrique a été coupé, endommagé ou épissé; si la sortie de la pompe a été réduite; si la pompe a été utilisée à des températures d'eau supérieures à celles d'un service normal, ou dans de l'eau contenant du sable, de la chaux, du ciment, du gravier ou autres abrasifs; si le produit a été utilisé pour pomper des produits chimiques, de la graisse ou des hydrocarbures; si un moteur non submersible a été soumis à une humidité excessive; ou si l'étiquette portant le modèle et le numéro de série a été retirée.

Liberty Pumps, Inc. ne sera pas responsable des pertes, dommages ou dépenses découlant de l'installation ou de l'utilisation de ses produits, ni des dommages indirects, accessoires et consécutifs, y compris les coûts de retrait, de réinstallation ou de transport.

**Il n'y a aucune autre garantie expresse. Toute garantie implicite, y compris celles de qualité marchande et d'aptitude à une fin particulière, sont limitées à une durée de trois ans à partir de la date d'achat. La présente garantie comprend le recours exclusif de l'acheteur et exclut, lorsque permis par la loi, toute responsabilité pour dommages consécutifs ou accessoires en vertu de toutes autres garanties.**

Gabarit de découpage

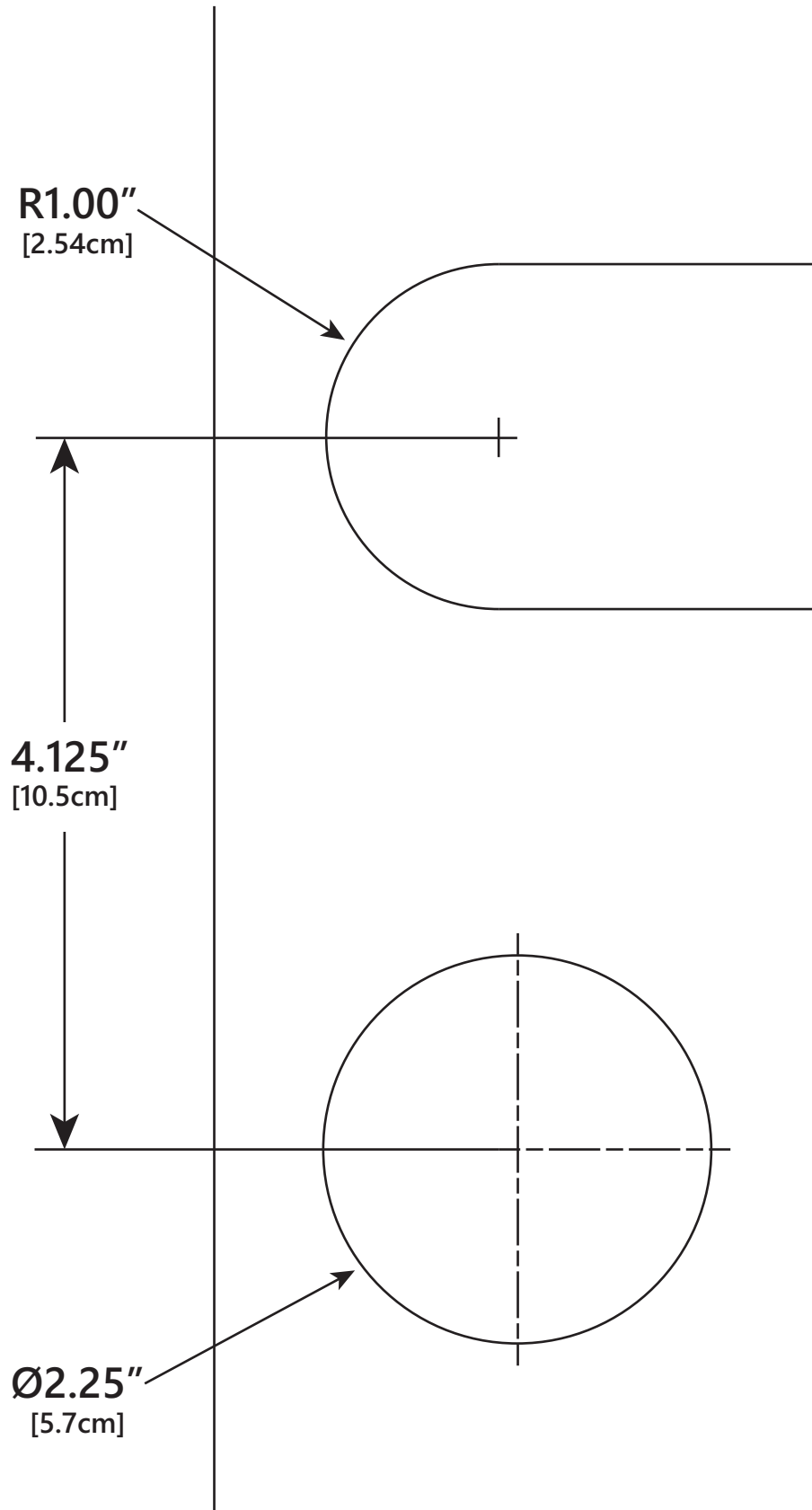


Figure 4. SumpJet gabarit de découpage



7000 Apple Tree Avenue  
Bergen, NY 14416  
téléphone: 800-543-2550  
télécopie: 585-494-1839  
[www.libertypumps.com](http://www.libertypumps.com)